

PARTS

---

MANUAL

36V MODELS



# ***E-Bike Parts Manual***

**36V**

EV Global Motors Company  
16201 Stagg Street  
Van Nuys, CA 91406

Tel: 818/756-0566  
Fax: 818/756-0563

[www.ebike.com](http://www.ebike.com)

Copyright © 2000 EV Global Motors Company

First Edition  
September, 2000

LIT-83001-01-36

All rights reserved. No parts of this publication may be reproduced or transmitted in any form or by any means without the prior permission of EV Global Motors Company.

Although every precaution has been taken to assure this publication is complete and accurate, EV Global assumes no liability for errors or omissions. All information contained in this publication is based on the latest information available at the time of publication and is subject to change without notice.

# TABLE OF CONTENTS

Applicable Models .....	1
Literature .....	1
How to Use this Manual .....	1
How to Read an E-Bike Part Number .....	1
Model Code .....	3
How to Read the Model Code .....	3
Accessories .....	20
Battery Pack .....	4
Bottom-bracket cartridge .....	8
Brake, Front .....	17
Brake, Rear .....	18
Chain .....	8
Charge cord .....	4
Controller .....	7
Fenders .....	19
Frame .....	9
Frame Covers .....	10-11
Handlebar .....	6
Handlebar Bag .....	21
Handlebar Controls .....	7
Headlight .....	5
Headset .....	9
Horn .....	5
Luggage Rack and Bags .....	22
Nite Rider Light System .....	23
Pedals and Derailleur .....	8
Seat, LE Model .....	12
Seat, SX Model .....	13
Seat, PE Model .....	14
Taillight, LE Model .....	12
Taillight, SX Model .....	13
Taillight, PE Model .....	14
Wheel, Front .....	15
Wheel, Rear .....	16

## APPLICABLE MODELS

The information in this manual applies to the following models:

Description	Model code	Initial VIN
LE	01 B136LE	RF2B1361 * XF000100 and later
PE	01 B136PE	RF2B1361 * XF000100 and later
SX	01 B136SX	RF2B1361 * XF000100 and later

The asterisk (\*) in the VIN number is a check digit that varies for each unit.

## LITERATURE

Part Number	Description
LIT-82001-01-36	Service Manual (Dealer) - 36V
LIT-51000-00-36	Owner's/Service Manual - 36V
LIT-83001-01-36	Parts Manual - 36V

## HOW TO USE THIS MANUAL

Numerous parts are available as assemblies or in kits. The component parts that make up an assembly are listed immediately after the assembly entry in the parts list. For Example:

The descriptions of these component parts are preceded by a bullet point (•). If a component part entry includes a part number, that part is also available separately.

Ref. No.	Part No.	Description	Qty.
1	1B1-21000-00-00	Rear Wheel with Motor Ass'y	1
2	1B1-21000-00-00	• Rear Hub/ Motor Ass'y	1
3	1B1-53400-00-00	• Free Wheel	1
4	1B1-59100-00-00	• Rim	1

The rear hub/motor assembly, free wheel, and rim are all supplied when you order the rear wheel with motor assembly, 1B1-21000-00-00.

Each of the three component parts is also available separately. To receive just the free wheel, for example, order 1B1-53400-00-00.

## HOW TO READ AN E-BIKE PART NUMBER

The EVG part number consists of 12 digits. Each number represents a specific piece of information related to a part or component. The

information is provided as a guide for reading and interpreting the EVG part number.

### Basic Part Number Configuration

0	0	0	-	0	0	0	0	-	0	0	-	0	0
A				B					C	D		E	

- A:** Model code.
- B:** Basic code no.
- C:** Design code no.
- D:** Design change code no.
- E:** Size/color code no.

## Model Code Numbers

First Three Characters    **000-00000-00-00**

- Every model is assigned a model number to identify that model.
- All component parts are given the model code number relating to the model on which they were first used.
- Example: 1B1 = the Base or Standard model E-Bike    2B1 = the Comfort or Touring model E-bikes.

## Basic Code Numbers

Middle Five Characters    000-**00000**-00-00

- The middle five characters identify the type of part, e.g., motor, housing, armature, etc.
- The five characters are divided into three classifications: Major, Intermediate, and Minor. The Major Classification indicates the category to which the part belongs.
  - 1 = Frame,
  - 2 = Drive Train,
  - 3 = Body,
  - 4 = Electrical,
  - 5 = Standard Components,
  - 6 = Suspension,
  - 7 = Accessory,
  - 8 = Literature,
  - 9 = Undefined,
  - 0 = Undefined.
- The Intermediate and Minor Classifications identify the specific part and assemblies. For example, the part number for the battery would be as shown:

**EXAMPLE:**    000 - **0** **00** **00** -00-00  
                           |    |    |  
                           **A** **B** **C**

- A:** Electrical = 4
- B:** Battery = 12
- C:** Lead-acid = 21

Note: If the original equipment item (OE) is being offered as an aftermarket bolt-on accessory with Point-of-Purchase packaging, extra hardware, installation instructions, etc., the OE component part number will have a "7" displayed in the fourth position.

Example, the Luggage Rack P/N for OE is 2B1-50600-00-00, the accessory part number is 2B1-70600-00-00.

## Design Code Number

Character Number Nine    000-00000- **0** 0-00

- The design code distinguishes like parts from one another when specification differences are involved, e.g., Front Reflector (w/ old tape) and Front Reflector (w/ new tape).

### EXAMPLE:

000-00000- **0** 0-00    Original Front Reflector and adhesive tape.

000-00000- **1** 0-00    Front Reflector with new adhesive tape.

Note: In most cases, the specification change will supersede the original part number and the system will automatically ship the updated part even if the original part number was ordered.

## Design Change Code Number

Character Number Ten    000-00000-0 **0**-00

This code number is used to identify a modification to an existing part.

Example: Original CATEYE Mirror=00, current mirror=01, current chain guard=00, new chain guard to accommodate a 38T chainwheel=01.

### EXAMPLE

000-00000-0 **0** -00    Original design  
 000-00000-0 **1** -00    First design change

## Color Code & Size Code Numbers

Last Two Characters    000-00000-00-**00**

When applicable, these last two characters identify:

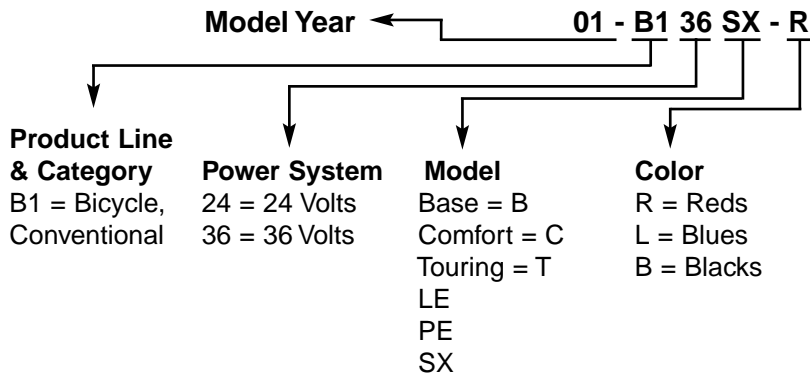
The painted color or type of plating or surface treatment used on certain parts.

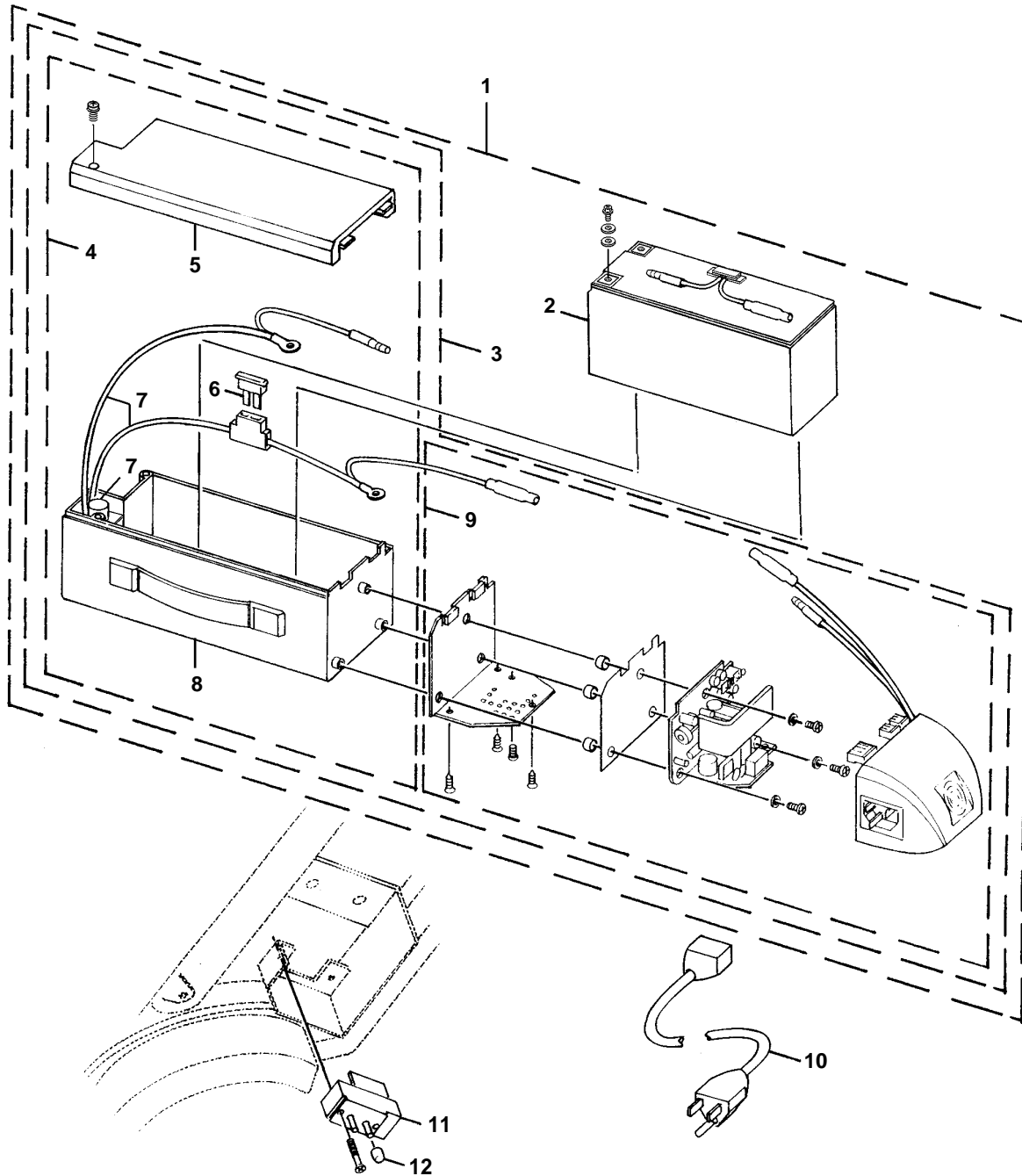
Example: Black = 11, Rally Red = 21, Metallic Blue = 31, Cranberry = 41.

The size of a part or piece of apparel. Such as SM=small, XL=extra large, 33 Tooth or 38 Tooth Chainwheel.

**MODEL CODE**

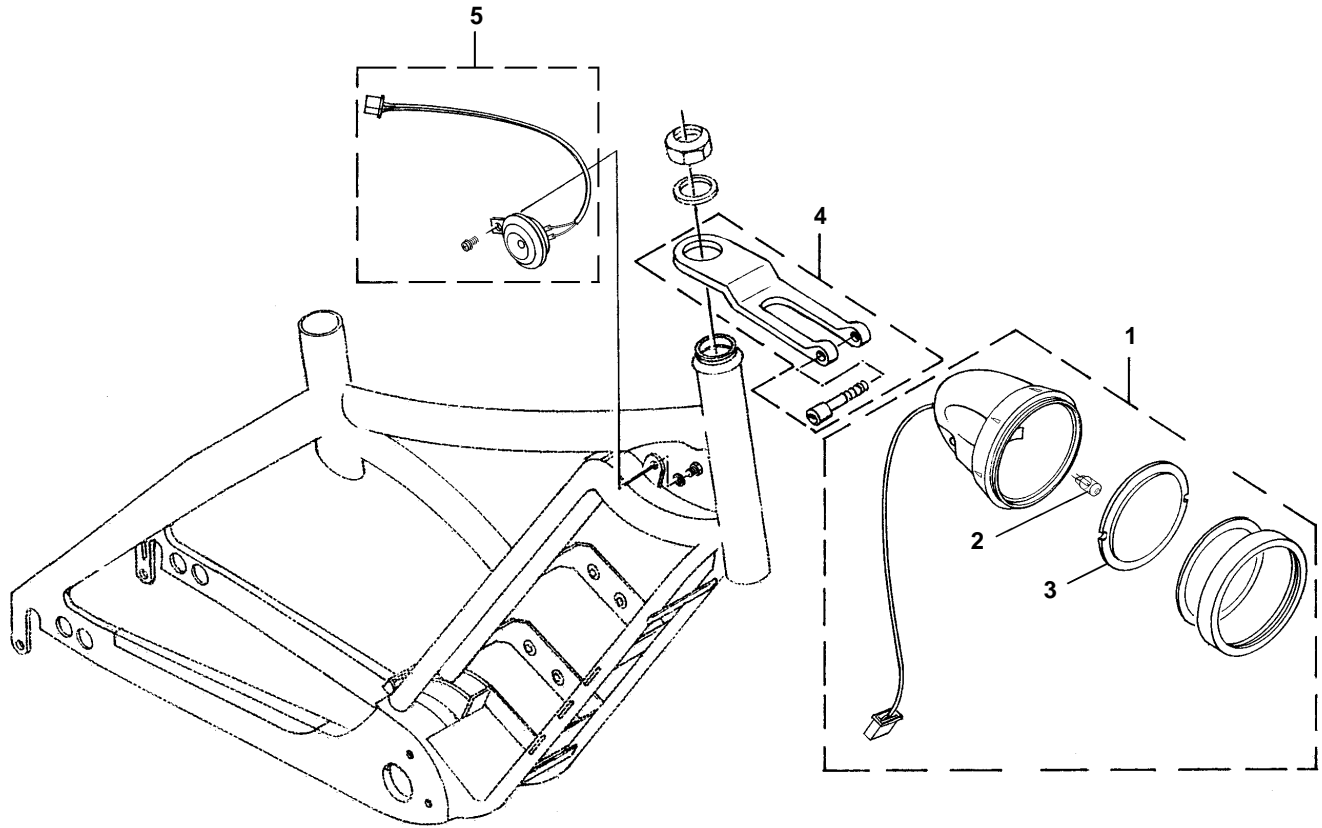
Model code	Model prefix	Year	Description	Color 1	Color 2	Color 3
B1 Bicycles						
01-B136LE – R, L	3B1	2001	LE	Candy Apple Red	Radiant Metallic Blue	N/A
01-B136PE – B	3B1	2001	PE	Black	N/A	N/A
01-B136SX – B	3B1	2001	SX	Satin Black	N/A	N/A

**HOW TO READ THE MODEL CODE**

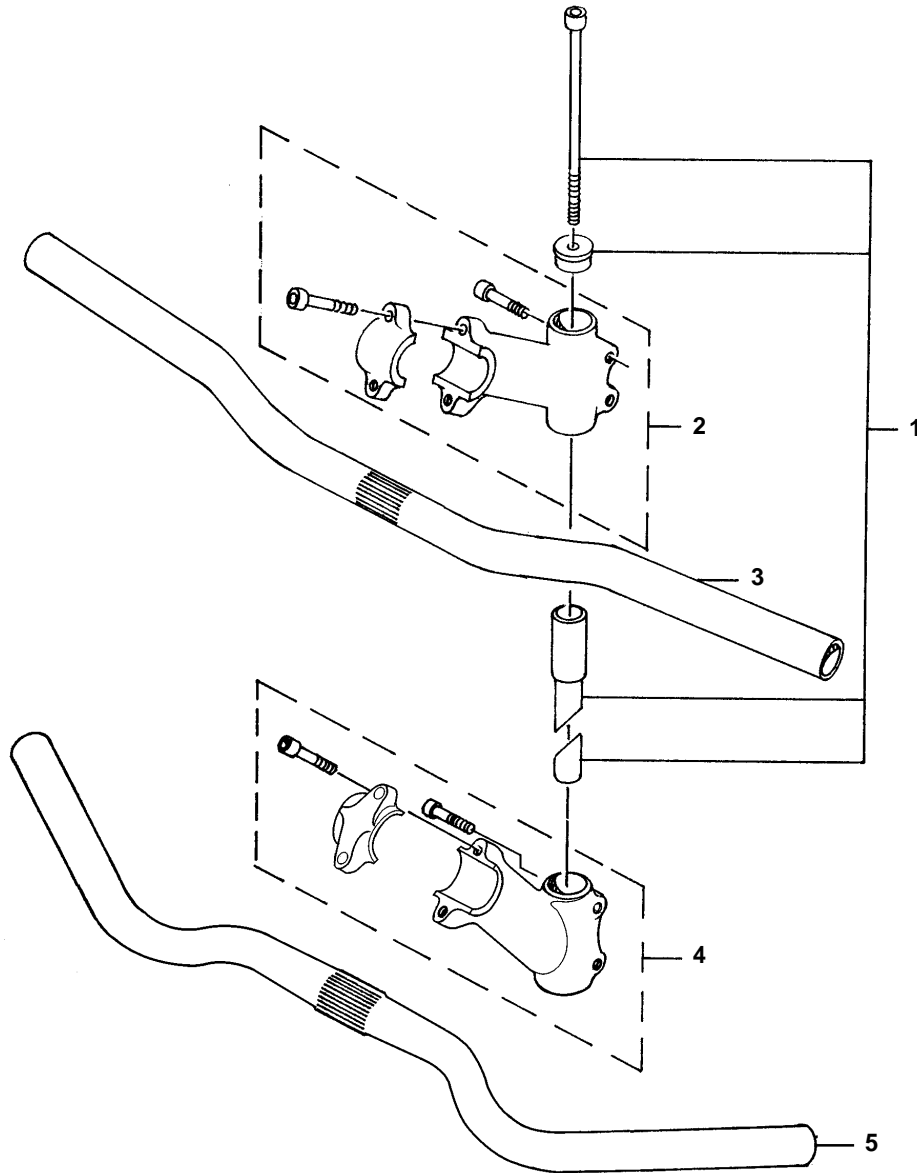


Ref No.	Part No.	Description	Qty.
1	3B1-40200-00-36	Battery Pack with charger and battery Ass'y, 36V, SLA	1
2	3B1-41221-00-36	• Battery WP8-36E, SLA	1
3	3B1-40100-00-00	• Battery Pack w/Charger Ass'y, 36V	1
4	3B1-41000-00-00	• Battery Pack Housing Ass'y	1
5	3B1-41011-00-00	• Battery Pack Lid	1
6	1B1-43230-01-00	• Fuse, 40 amp, Slow blow, inside BP	1
7	3B1-43100-00-00	• Wire Harness - 1, Battery to connector inside BP	1
8	3B1-41012-00-00	• Battery Pack Bottom	1
9	3B1-41100-00-00	• Charger Ass'y - 36V	1
10	1B1-52100-00-00	Charging Cord	1
11	1B1-44100-01-00	Connector, Male, Frame mounted	1
12	1B1-44101-00-00	Rubber Insulator Caps, 2 pcs.	1

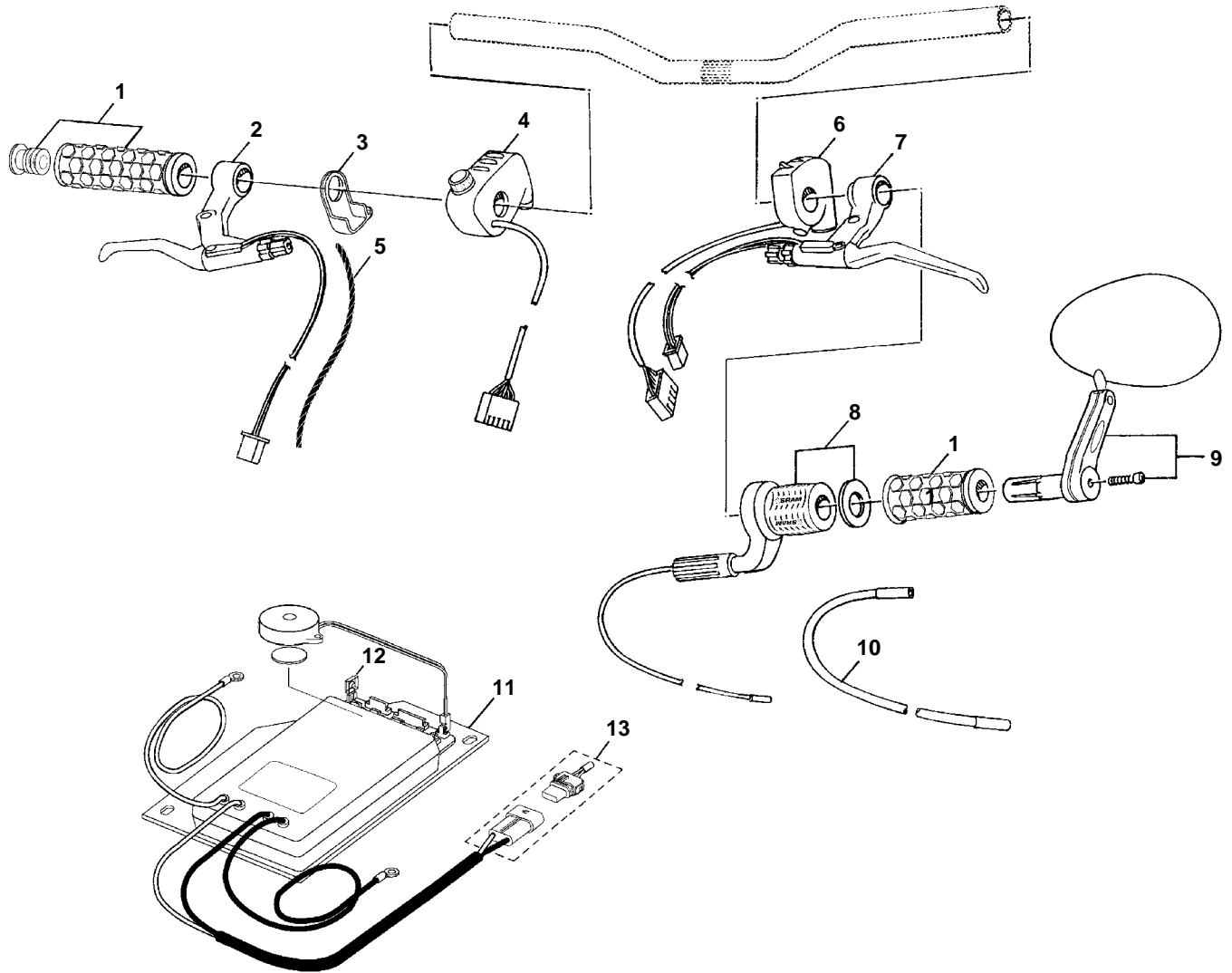




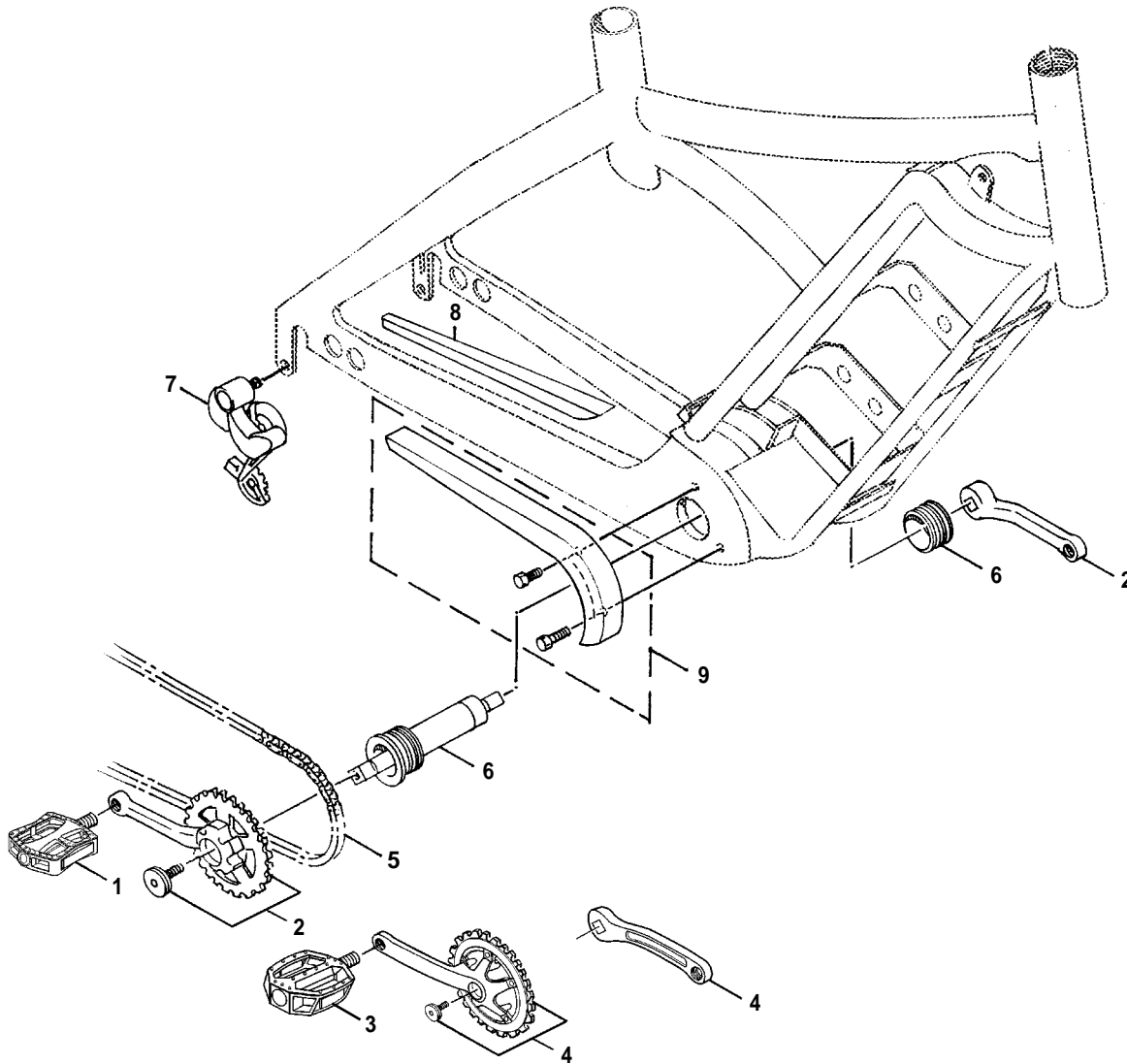
Ref No.	Part No.	Description	Qty.
1	3B1-45151-00-00	Headlight Ass'y, for 36V system	1
2	3B1-45151-01-12	• Bulb, Headlight, 12V-H3 Halogen for 36V system	1
3	3B1-45151-00-01	• Lens, Headlight, 36V system	1
4	1B1-45152-00-00	Headlight Mounting Bracket w/ Hardware	1
5	1B1-46200-02-00	Horn Ass'y, 36V system	1



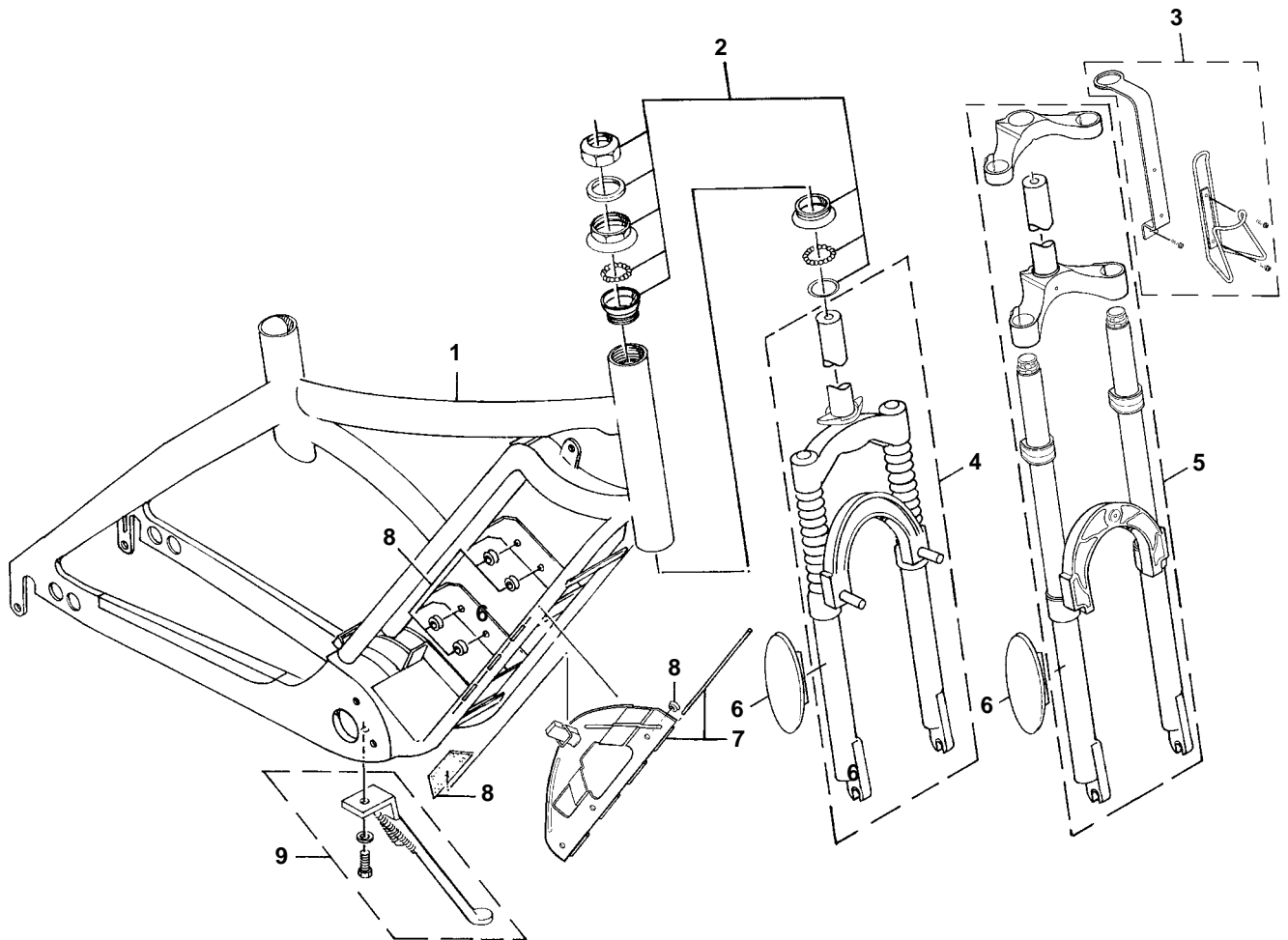
Ref No.	Part No.	Description	Qty.
1	1B1-57400-00-00	Stem-2 with quill	1
2	1B1-57300-00-00	Stem-1, 17 degree rise, Polished	1
	3B1-57300-00-00	Stem-1, 15 degree rise, Red anodize	1
3	3B1-57200-00-00	Handlebar, Sport, Polished	1
	3B1-57200-00-01	Handlebar, Sport, Black	1
4	2B1-77300-00-00	Stem-1 - 40 degree rise, Polished	1
5	2B1-57200-01-00	Handlebar, Comfort, Polished	1



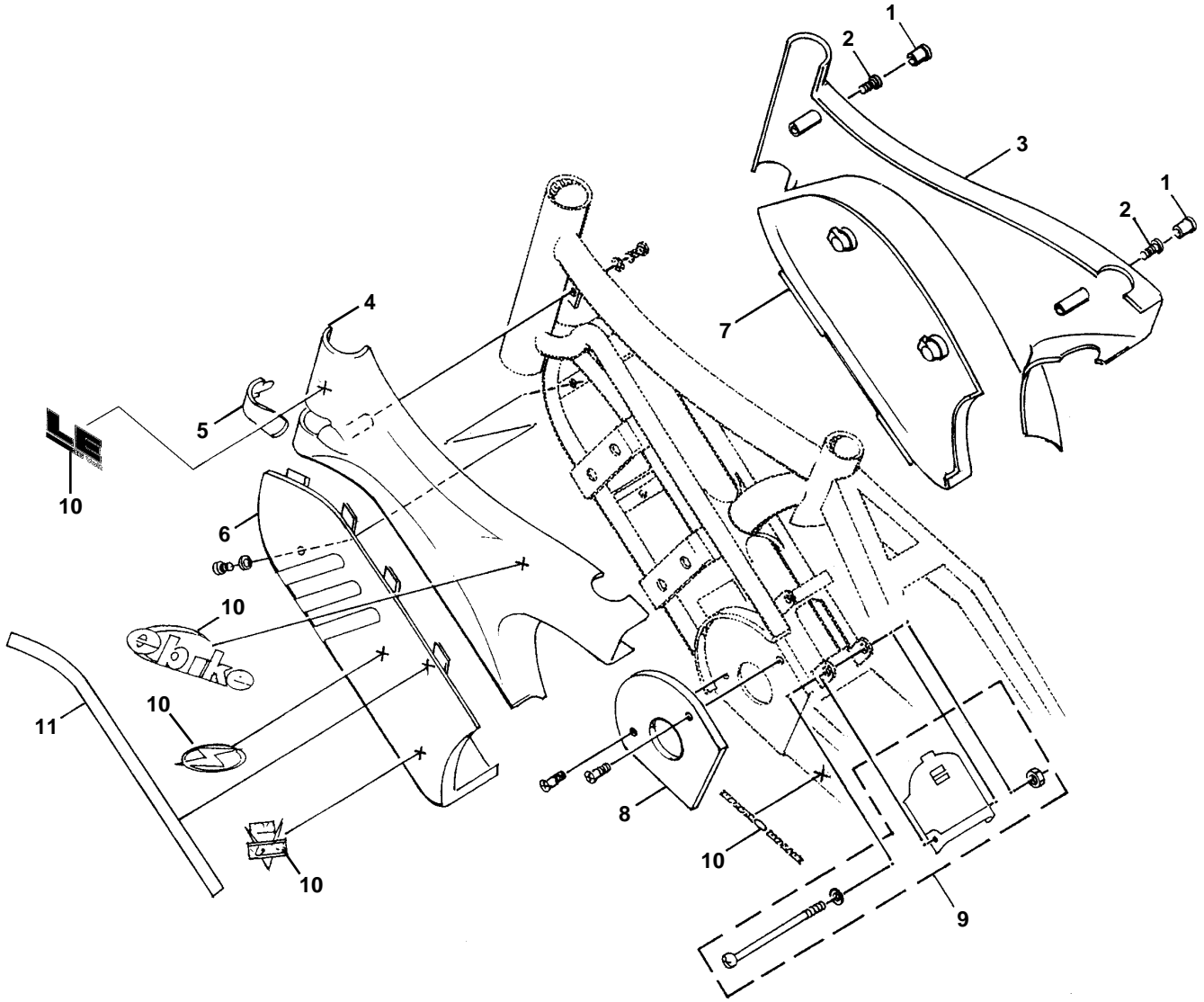
Ref No.	Part No.	Description	Qty.
1	3B1-57500-00-00	Grip Set, Handlebar, w/ 2 end caps	1
2	3B1-58116-00-00	Brake Lever w/ Sensors Ass'y, Right, Black Housing	1
	3B1-58116-01-00	Brake Lever w/ Sensors Ass'y, Right, Silver Housing w/ Red Adjuster	
3	1B1-47200-04-03	Throttle Stop, Gen-3	1
4	3B1-47200-04-00	Control Switch Ass'y, Right, 36V system	1
5	1B1-47273-00-00	Wire Harness Covers, Spiral, Black, 2pcs.	1
6	3B1-47100-00-00	Control Switch Ass'y, Left, 36V system	1
7	3B1-58216-00-00	Brake Lever w/ Sensor Ass'y, Left, Black Housing	1
	3B1-58216-01-00	Brake Lever w/ Sensor Ass'y, Left, Silver Housing w/ Red Adjuster	1
8	1B1-53300-00-00	Shifter Ass'y, Left	1
9	1B1-55500-02-00	Mirror	1
10	3B1-53301-01-00	Cable Housing, w/ tube, Shifter Ass'y	1
11	3B1-49100-00-00	Controller System Ass'y, Gen-1, 36V	1
12	3B1-49230-00-00	• Fuse, 5 amp, Slow Blow, 36V Controller	1
13	3B1-43302-00-00	Quick Release Motor Connector Assembly	1



Ref No.	Part No.	Description	Qty.
1	3B1-55100-00-00	Pedal Set, LE	1
2	3B1-54100-00-38	Crank Set w/o cover, 38T	1
3	3B1-55100-01-00	Pedal Set, PE & SX	1
4	3B1-54100-01-38	Crank Set w/ cover, 38T	1
5	1B1-53500-00-00	Chain	1
6	1B1-53200-00-00	Bottom Bracket Cartridge Ass'y	1
7	1B1-53200-00-00	Derailleur, Acera, 7-Speed	1
	3B1-53200-00-00	Derailleur, Alivio, 7-Speed	1
8	1B1-53600-00-00	Chain Stay Guard	1
9	1B1-35200-00-22	Chain Cover, Candy Apple Red	1
	1B1-35200-00-32	Chain Cover, Radiant Metallic Blue	1

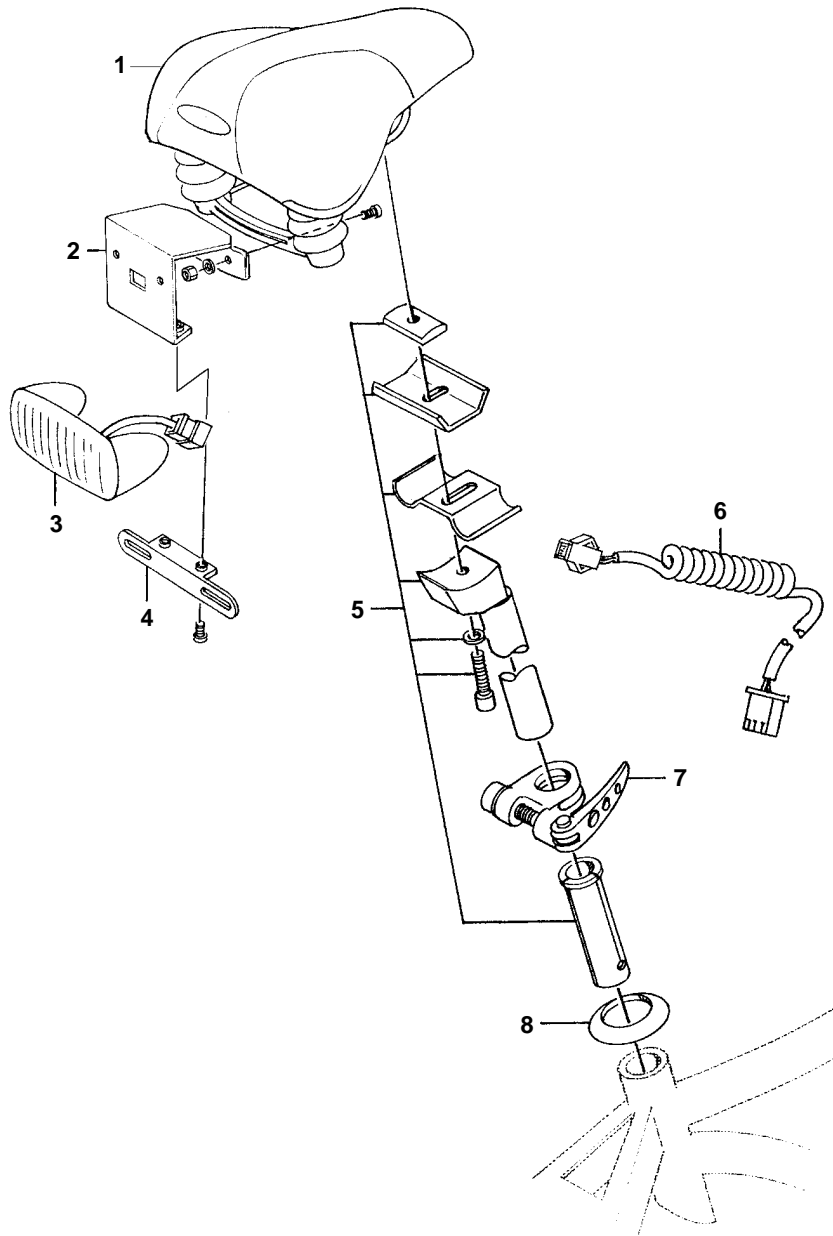


Ref No.	Part No.	Description	Qty.
1	3B1-10000-00-521	Frame Ass'y. - Diamond Silver	1
2	1B1-57100-01-00	Headset, Silver	1
	1B1-57100-01-11	Headset, Black	1
3	3B1-45152-00-00	Bottle Holder Ass'y, Nite Rider Battery Bottle	1
4	1B1-61000-00-22	Fork - Candy Apple Red	1
	1B1-61000-00-32	Fork - Radiant Metallic Blue	1
5	3B1-61000-10-11	Triple Fork - Black	1
	3B1-61000-10-12	Triple Fork - Satin Black	1
6	1B1-45563-00-00	Reflector, Front Fork, Side, 1 pc.	1
7	3B1-11000-00-00	Battery Pack Retainer Ass'y, Gen-2	1
8	1B1-11020-00-00	Damper Set, BP Retainer & Frame	1
9	1B1-51430-00-00	Kickstand Ass'y, Side Mount	1



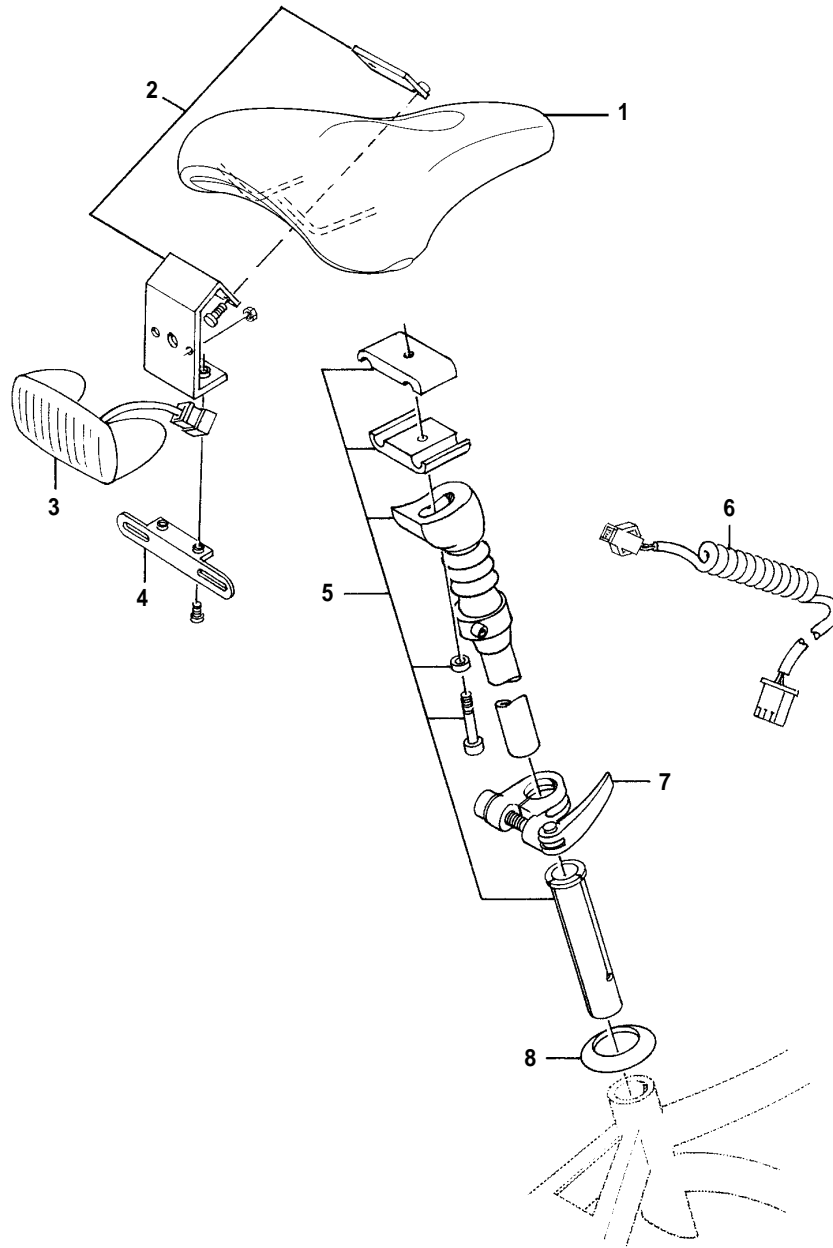
Ref No.	Part No.	Description	Qty.
1	1B1-37100-00-00	Hole Plugs, R/H Upper Panels, 3pcs.	1
2	1B1-SDPNL-HD-W0	Screw Kit, plastic panels, 9 pcs	1
3	1B1-31200-00-22	Side Panel, Upper Right - Candy Apple Red	1
	1B1-31200-00-32	Side Panel, Upper Right - Radiant Metallic Blue	1
	1B1-31200-00-12	Side Panel, Upper Right - Satin Black (SX)	1
	1B1-31200-00-11	Side Panel, Upper Right - Black (PE)	1
4	1B1-31100-00-22	Side Panel, Upper Left - Candy Apple Red	1
	1B1-31100-00-32	Side Panel, Upper Left - Radiant Metallic Blue	1
	1B1-31100-00-12	Side Panel, Upper Left - Satin Black (SX)	1
	1B1-31100-00-11	Side Panel, Upper Left - Black (PE)	1
5	1B1-33100-00-11	Cable Inlet Cover - Black	1
	1B1-33100-00-12	Cable Inlet Cover - Satin Black	1
	1B1-33100-00-22	Cable Inlet Cover - Candy Apple Red	1
	1B1-33100-00-32	Cable Inlet Cover - Radiant Metallic Blue	1
6	1B1-32100-01-00	Side Panel 3, Lower Left, 36V	1
7	1B1-32200-01-00	Side Panel 4, Door, Lower Right Ass'y, 36V	1
8	1B1-34300-00-11	Cover, Bottom Bracket Left, Black	1
	1B1-34300-00-12	Cover, Bottom Bracket Left, Satin Black	1
	1B1-34300-00-22	Cover, Bottom Bracket Left, Candy Apple Red	1
	1B1-34300-00-32	Cover, Bottom Bracket Left, Radiant Metallic Blue	1
9	1B1-34100-00-11	Cover, Cord Access Ass'y. - Black	1
	1B1-34100-00-12	Cover, Cord Access Ass'y. - Satin Black	1
	1B1-34100-00-22	Cover, Cord Access Ass'y. - Candy Apple Red	1
	1B1-34100-00-32	Cover, Cord Access Ass'y. - Radiant Metallic Blue	1
10	3B1-36200-00-21	Decal Set, 2001 36V LE	1
	3B1-36200-00-11	Decal Set, 2001 36V SX	1
	3B1-36200-01-11	Decal Set, 2001 36V PE	1
11	1B1-36100-00-00	Decal Set 1, Lower side panels, brushed aluminum	1

# Seat, Post & Taillight, LE Model



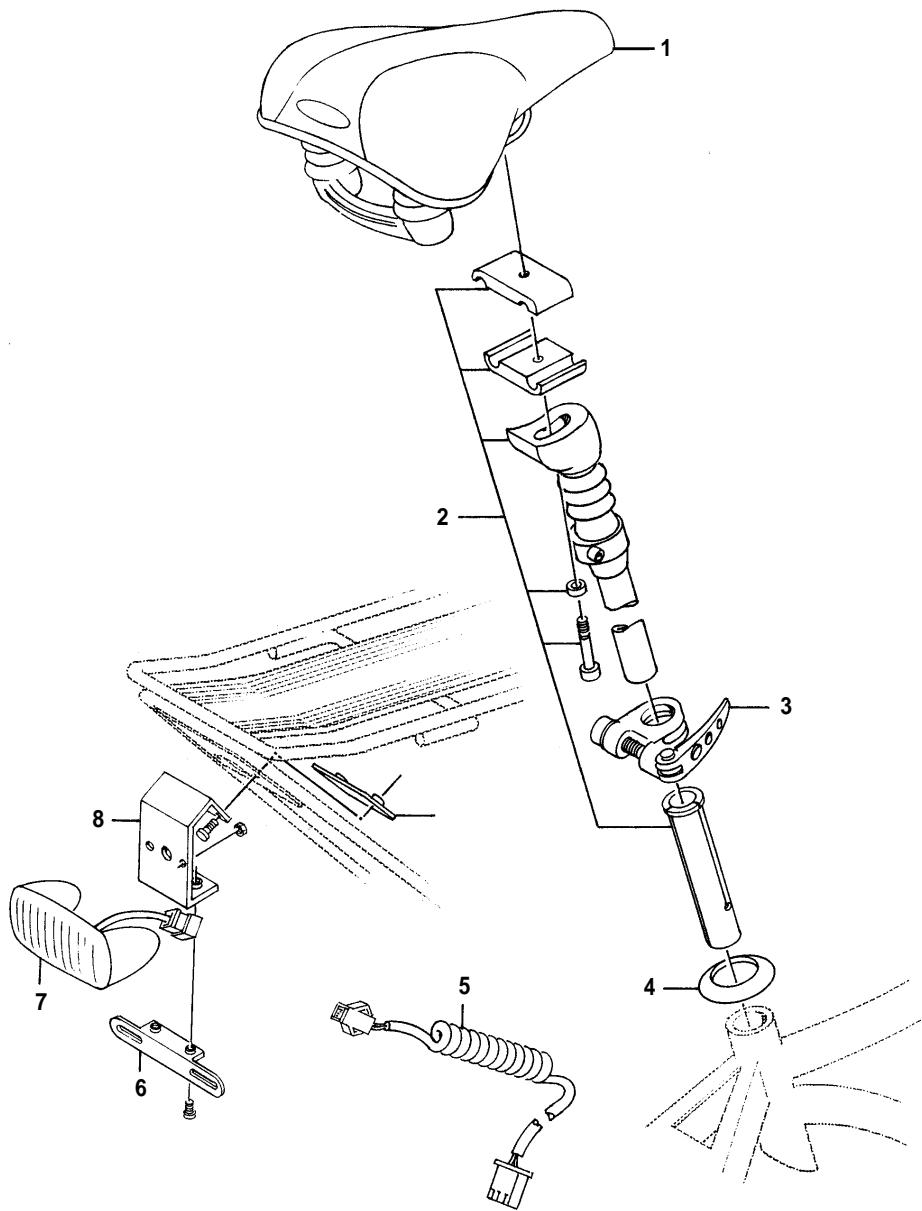
Ref No.	Part No.	Description	Qty.
1	2B1-76152-00-00	Touring Seat	1
2	1B1-75143-00-00	Taillight Mounting Bracket (for C & T Seats) w/ hdw	1
3	3B1-45140-00-36	Taillight Ass'y, 36V	1
4	1B1-75646-00-00	License Plate Mounting Bracket	1
5	1B1-56200-00-00	Seatpost w/spacer	1
6	1B1-43700-01-00	Wire Harness - 7, Taillight to controller, 36V system	1
7	1B1-56300-00-00	Seat post Clamp	1
8	1B1-30030-00-00	Rubber Seal 1, Seat Post	1



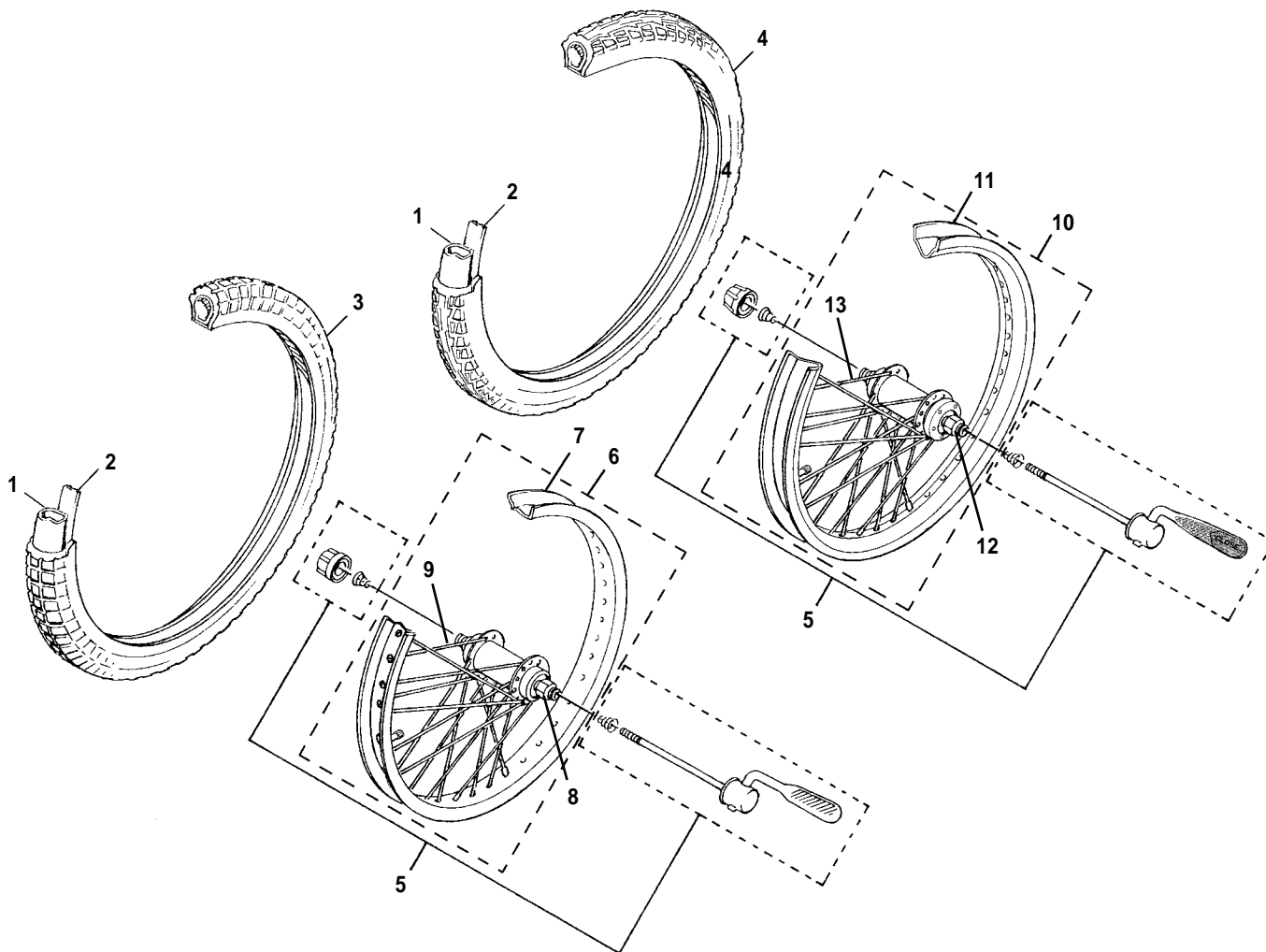


Ref No.	Part No.	Description	Qty.
1	3B1-76153-00-00	Sport Seat	1
2	1B1-45143-00-00	Taillight Mounting Bracket w/ hdw	1
3	3B1-45140-00-36	Taillight Ass'y, 36V	1
4	1B1-75646-00-00	License Plate Mounting Bracket	1
5	2B1-76153-00-00	Seatpost, Suspension	1
6	1B1-43700-01-00	Wire Harness - 7, Taillight to controller, 36V system	1
7	3B1-56300-00-00	Seatpost Clamp (for SX)	1
8	1B1-30030-00-00	Rubber Seal 1, Seatpost	1

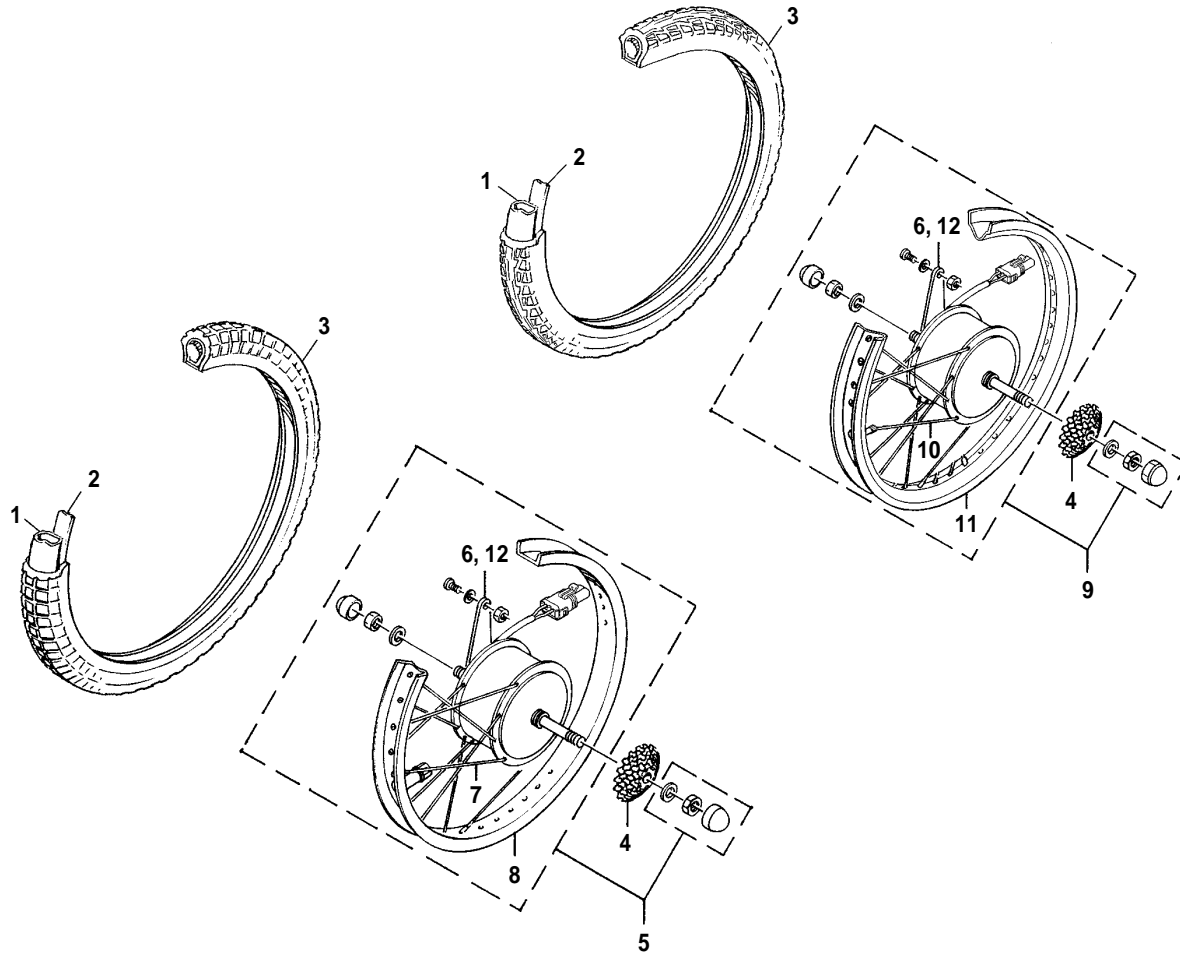
# Seat, Post & Taillight, PE Model



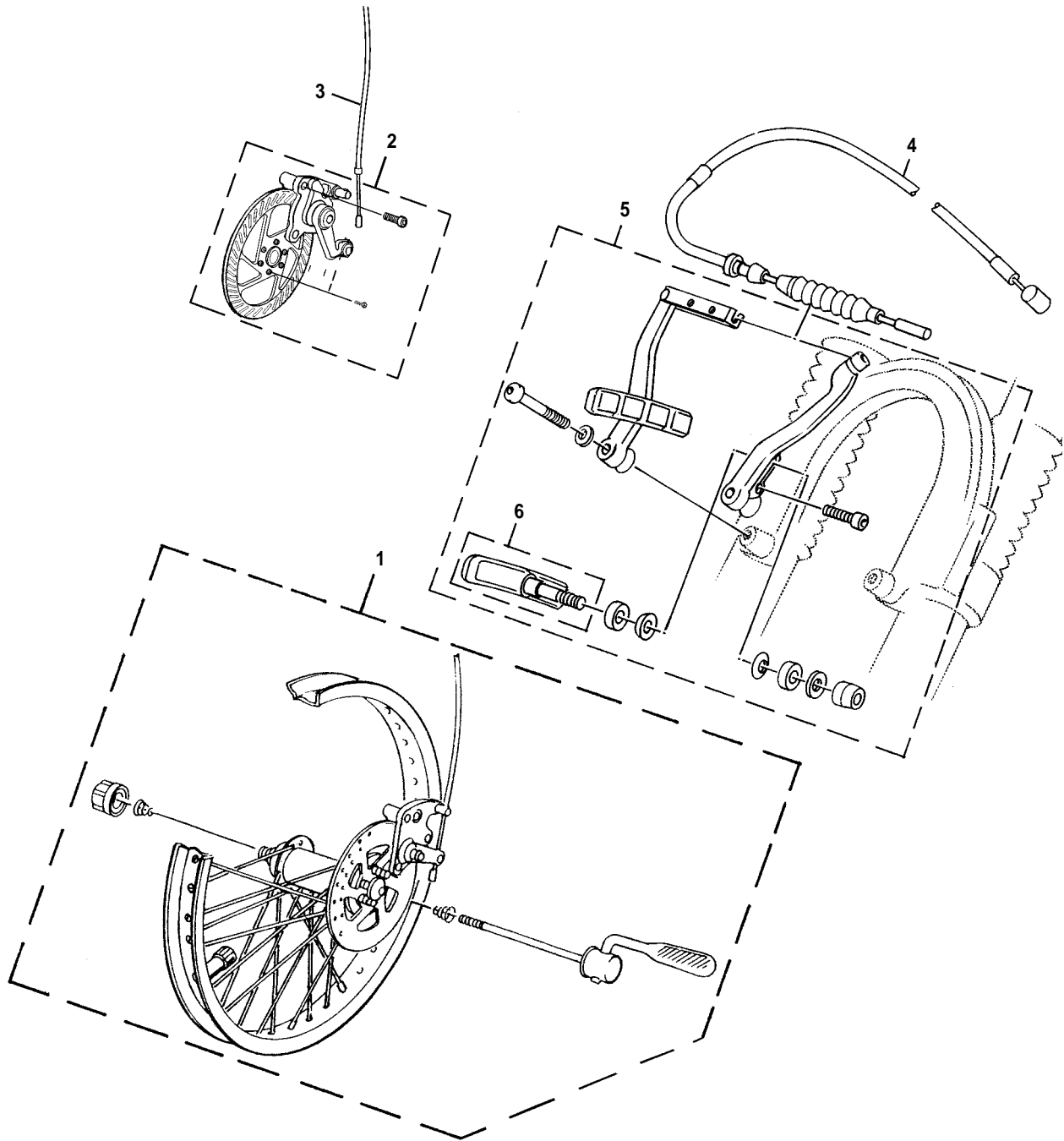
Ref No.	Part No.	Description	Qty.
1	2B1-76151-00-00	Comfort Seat	1
2	2B1-76153-00-00	Seatpost, Suspension	1
3	3B1-56300-00-00	Seatpost Clamp	1
4	1B1-30030-00-00	Rubber Seal 1, Seatpost	1
5	1B1-43700-01-00	Wire Harness - 7, Taillight to controller, 36V system	1
6	1B1-75646-00-00	License Plate Mounting Bracket	1
7	3B1-45140-00-36	Taillight Ass'y, 36V	1
8	1B1-45143-00-00	Taillight Mounting Bracket , w/ Hardware	1



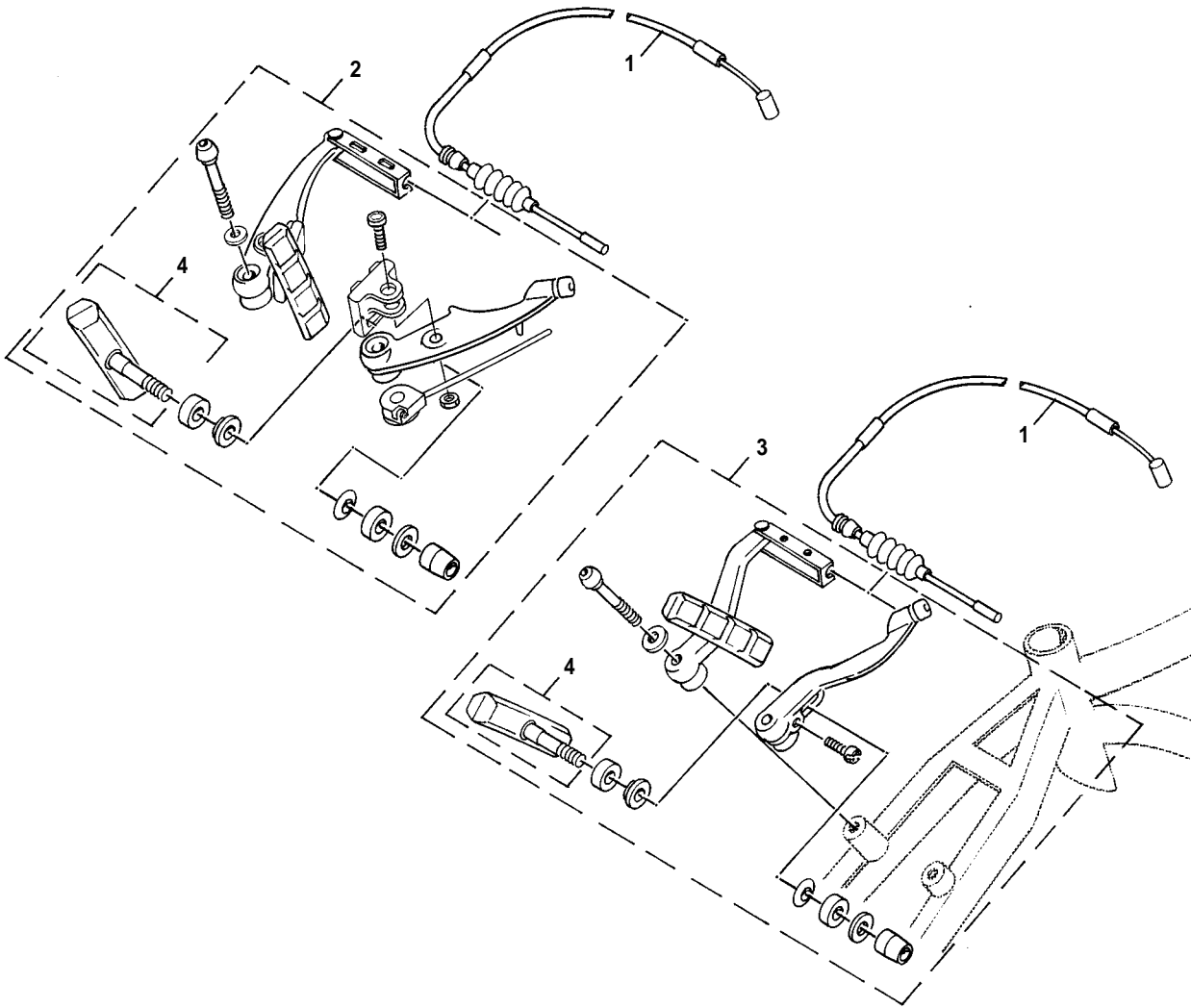
Ref No.	Part No.	Description	Qty.
1	1B1-59700-00-00	Tire Tube	1
2	1B1-59800-00-00	Rim Protector	1
3	1B1-59621-10-01	Tire, K841B-PR, Black wall w/ silver reflective stripe, LE	1
	3B1-59621-00-00	Tire, K841C-PR, Black wall w/ silver reflective stripe, PE	1
4	3B1-59621-00-01	Tire, K841C-PR, CSK side wall, SX	1
5	1B1-59560-00-00	QR Front Hub Skewer Set	1
6	1B1-59900-01-00	Wheel Ass'y, Front, (DH-17 rim w/ CNC sides, hub and spokes)	1
7	1B1-59100-11-00	• Rim, Front, DH-17 32H, CNC sides	1
8	1B1-59500-00-00	• Front Hub Ass'y, KK-528F	1
9	1B1-59300-11-00	• Spoke Set, Front – DH-17 rim, 32H w/ Std. KK-528F Hub	1
10	3B1-59911-00-00	Wheel Ass'y, Front, (G3000 rim w/ Diacomp hub for disk brake)	1
11	3B1-59100-10-00	• Rim, Front, G3000, 32H, Silver	1
12	3B1-59500-00-00	• Front Hub Ass'y – for Diatech 185mm Spiral Disk Brake, disk not included	1
13	3B1-59300-10-00	• Spoke Set, Front – G3000 rim, 32H w/ Diacomp Disk Brake Hub	1



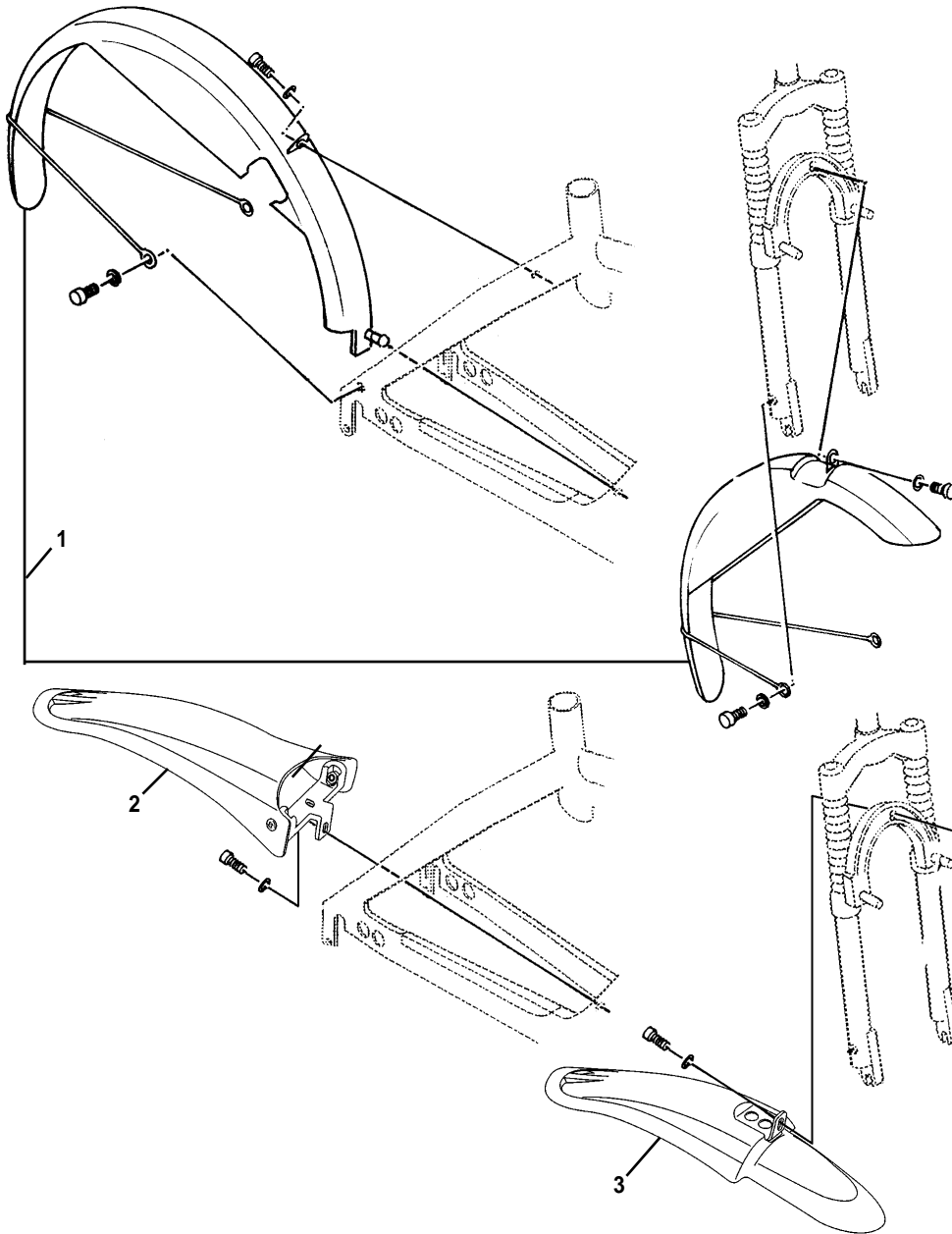
Ref No.	Part No.	Description	Qty.
1	1B1-59700-00-00	Tire Tube	1
2	1B1-59800-00-00	Rim Protector	1
3	1B1-59621-10-01	Tire, K841B-PR, Black wall w/ silver reflective stripe, LE	1
	3B1-59621-00-00	Tire, K841C-PR, Black wall w/ silver reflective stripe, PE	1
	3B1-59621-00-01	Tire, K841C-PR, CSK side wall, SX	1
4	1B1-53400-00-00	Free Wheel, 14-28	1
5	3B1-21041-00-00	Wheel Ass'y, Rear – 36V HZM motor w/ DH-17 Rim, 36H, CNC sides	1
6	3B1-21200-00-00	• Rear Hub/Motor Ass'y, HZM 36V	1
7	1B1-59200-00-00	• Spoke Set, Rear – for DH-17 rim w/ HZM motor, 36H, 14ga.	1
8	1B1-59100-01-00	• Rim, Rear, DH-17, 36H w/ CNC sides	1
9	3B1-21042-00-00	Wheel Ass'y, Rear – 36V HZM motor w/ G3000 Rim, 36H	1
10	3B1-59200-10-00	• Spoke Set, Rear – for G3000 rim w/ HZM motor, 36H, 14ga.	1
11	3B1-59100-00-00	• Rim, Rear, G3000, 36H, Silver	1
12	3B1-21200-00-00	• Rear Hub/Motor Ass'y, HZM 36V	1



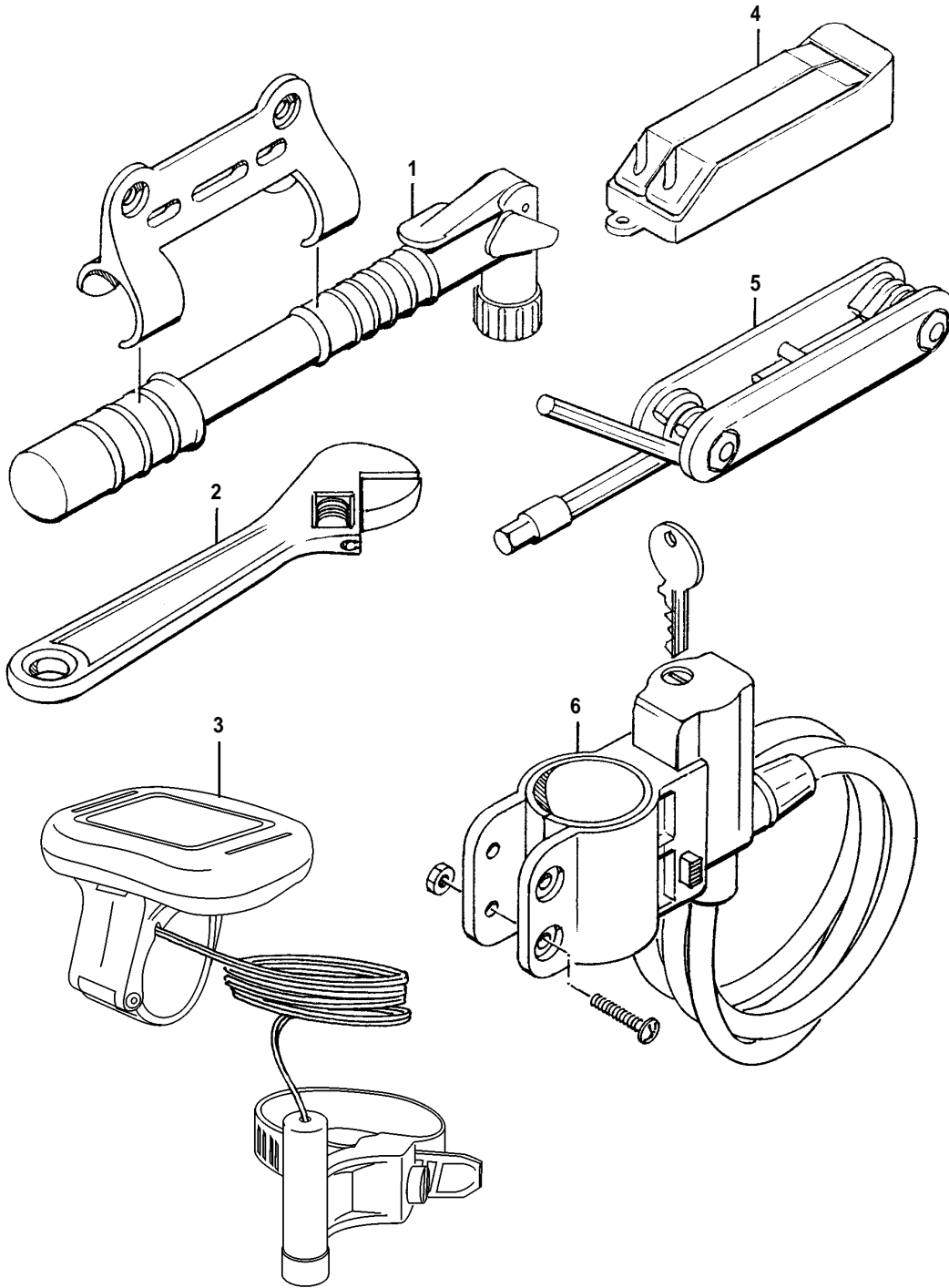
Ref No.	Part No.	Description	Qty.
1	2B1-78900-00-00	Front Disc Brake w/ Rim Kit (optional for LE model)	1
2	3B1-58117-00-00	Front Disk Brake Ass'y - Diacomp Spiral 185mm	1
	3B1-58118-00-00	• Brake Pads - Front Disk Brake, Diatech 185mm Spiral, 2pcs.	1
3	3B1-58110-01-00	Front Brake Cable Housing, Wire, Nipple, Disk Brake	1
4	3B1-58110-00-00	Front Brake Cable Housing, Wire, Guide and Nipple, V-Brake	1
5	1B1-58117-00-00	Brake Caliper Ass'y, 841V, front	1
6	1B1-58118-00-00	• Brake Shoe Set, 2pcs.	1



Ref No.	Part No.	Description	Qty.
1	3B1-58210-00-00	Rear Brake Cable Housing, Wire, Guide & Nipple, V-brake	1
2	3B1-58217-00-00	Brake Caliper w/ Modulator, Rear, Charcoal anodize	1
	3B1-58217-00-01	Brake Caliper w/ Modulator, Rear, Red anodize	1
3	1B1-58217-00-00	Brake Caliper, 841V, Rear	1
4	1B1-58118-00-00	Brake Shoe Set, 2pcs.	1

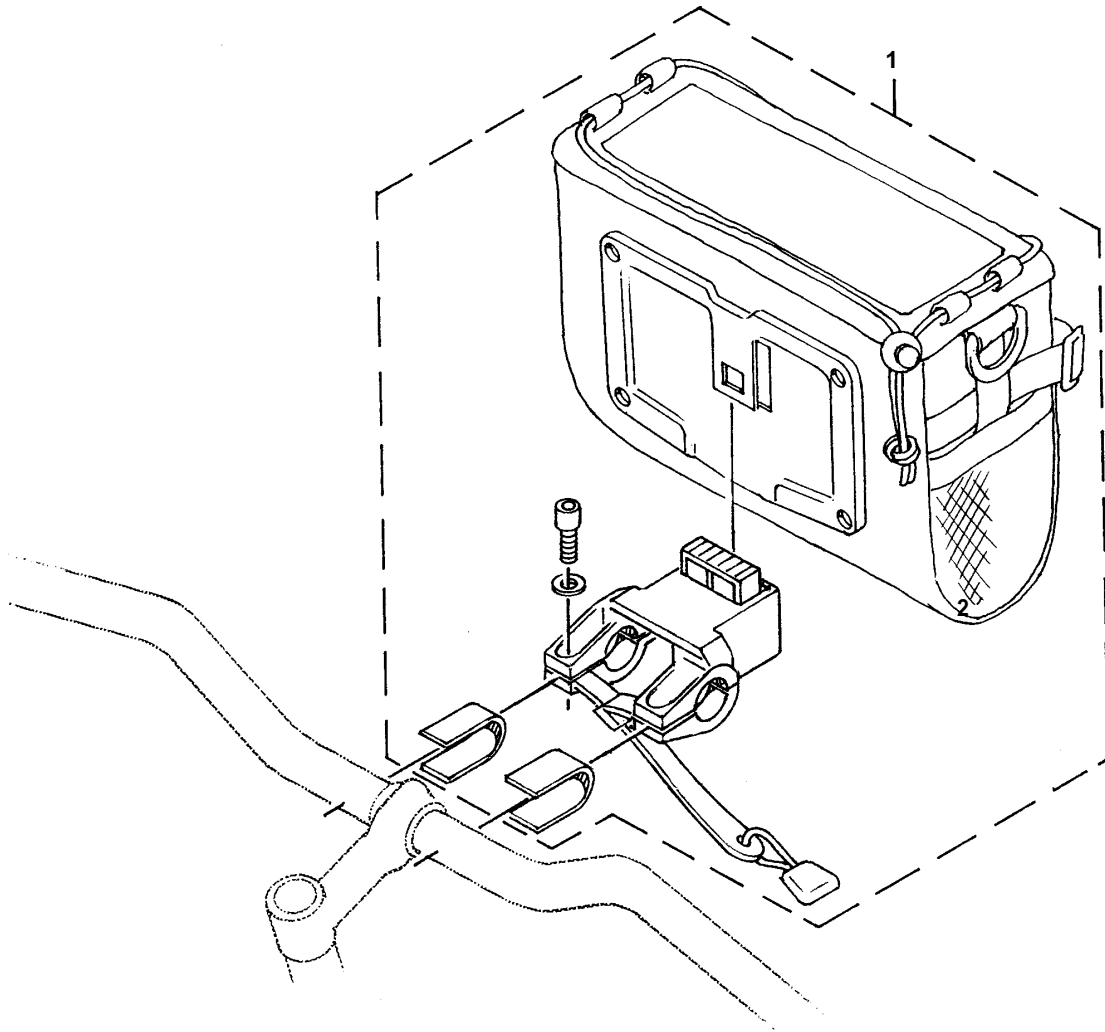


Ref No.	Part No.	Description	Qty.
1	2B1-78100-00-22	Skirted Fender Kit - Candy Apple Red	1
	2B1-78100-00-32	Skirted Fender Kit - Radiant Metallic Blue	1
2	3B1-38200-00-00	Sport Fender, Rear - Black	1
3	3B1-38100-00-00	Sport Fender, Front - Black	1

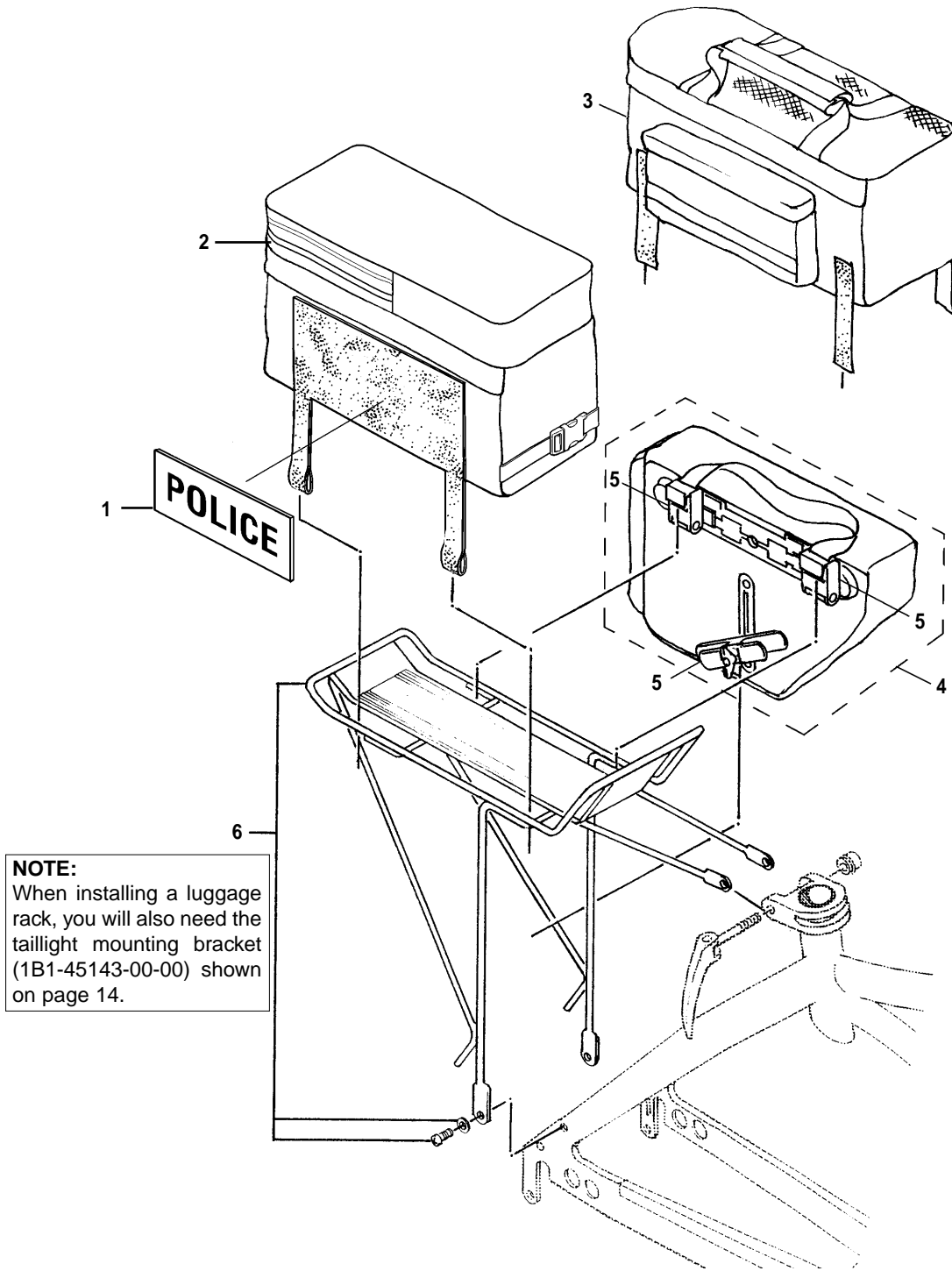


Ref No.	Part No.	Description	Qty.
1	2B1-70400-00-00	Mini Hand Pump w/ mount bracket for Luggage Rack	1
2	2B1-70200-00-00	Adjustable Wrench	1
3	3B1-76500-00-00	Cycle Computer - (BC-555)	1
4	2B1-70300-00-00	Tire Repair Kit	1
5	2B1-70100-00-00	Multi-tool	1
6	2B1-70500-00-00	Cable Lock	1



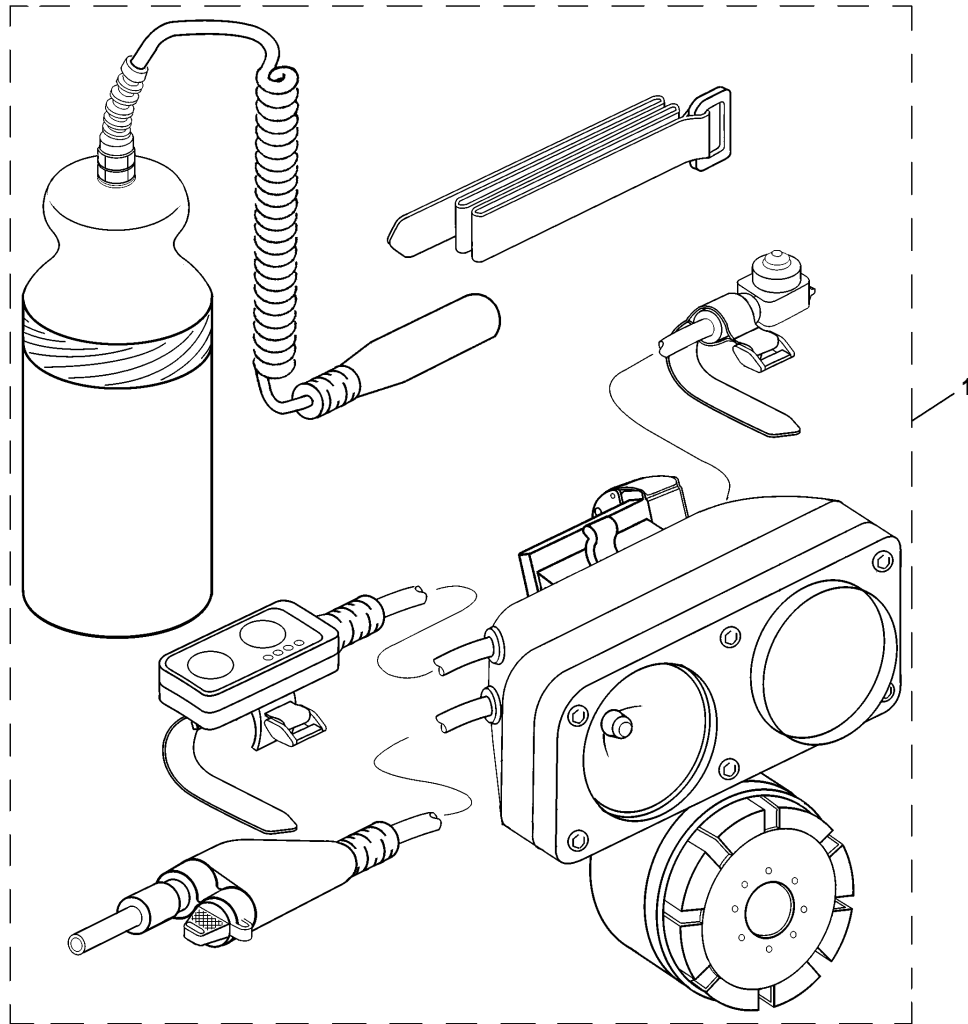


Ref No.	Part No.	Description	Qty.
1	2B1-70700-00-00	QR Handlebar Bag	1

**NOTE:**

When installing a luggage rack, you will also need the taillight mounting bracket (1B1-45143-00-00) shown on page 14.

Ref No.	Part No.	Description	Qty.
1	3B1-70800-00-PL	Reflective Embroidered Patch Set - Police	1
	3B1-70800-00-SC	Reflective Embroidered Patch Set - Security	1
	3B1-70800-00-SF	Reflective Embroidered Patch Set - Sheriff	1
2	3B1-70800-00-00	Soft Trunk for PE model	1
3	2B1-70800-00-00	Soft Trunk	1
4	2B1-70900-00-00	Panniers, Side	1
5	2B1-70900-00-01	• Plastic Hook/Clip Set, 3 Pieces	1
6	2B1-70600-00-00	Luggage Rack	1



Ref No.	Part No.	Description	Qty.
1	3B1-NR906-40-RD	Nite Rider Light System w/ Siren Kit - Red Lens	1
	3B1-NR907-20-BL	Nite Rider Light System w/ Siren Kit - Blue Lens	1

***EV Global Motors Company***

16201 Stagg Street

Van Nuys, CA 91406

USA

818-756-0566 tel / 818-756-0563 fax

[www.ebike.com](http://www.ebike.com)

P/N: LIT-83001-01-36

